



Comet



6870-P03-CR5E27 S/R

Comet 417lm 51mm 3.4W E27 CR5

Sleek and stylish, that is U-Tron's Comet spot light. It has a very focussed beam that is excellent for product displays, reading lights, museums, and the list goes on and on.

Product Technical Data

General Informaion

Socket Type	E27
Life Span	50000hr

Product Dimensions

Circular Diameter	50mm
Lamp Height	57mm

Light Characteristics

Efficacy	122.6lm/W
Beam Angle	60 D
CCT	5500K
Flux	417lm
Color Rendering Index	

Ordering Information

Product Number	6870-P03-CR5E27S
Product Name	Comet Spotlight E27
Product Ordering Name	Comet 390lm mm 3.4W E27 CR5

Electrical Characteristics

Wattage	3.4W
Voltage	universal
Power Factor	0.937

Pieces Per Pack	1
Packs Per Carton	240
Net Weight Per Piece	130 Grams

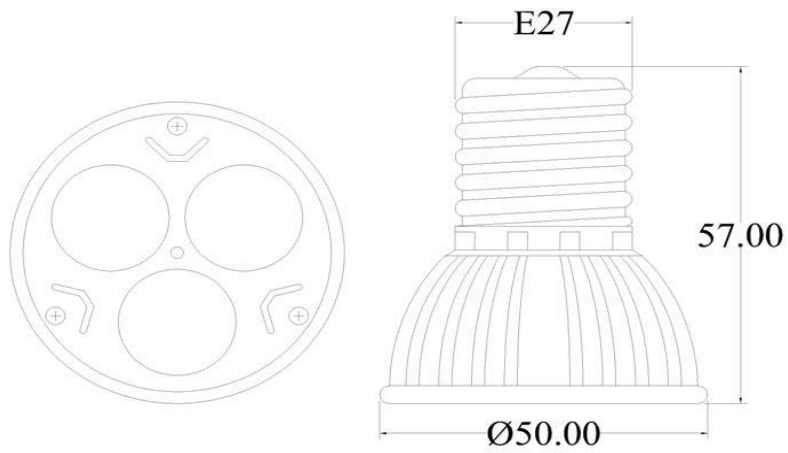
Temperature

Operating Temp.	-30(min), 65(max)C
Storage	-40(min), 65(max)C

www.u-tron.com



Technical Drawing



©2012 U-Tron (Beijing) Electronics Co., LTD

All rights reserved

Specifications are subject to change without notice

15-Feb-12

data subject to change